

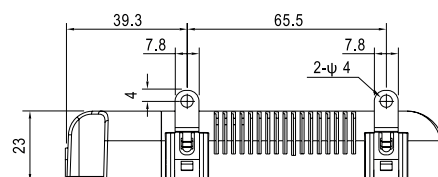
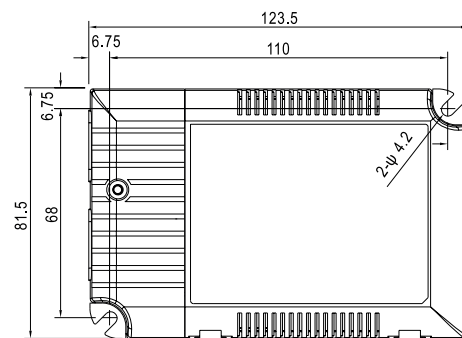
**TRASFORMATORE ELETTRONICO C.C. 42W CON DIMMER**

**ALIMENTATORE UNIVERSALE  
MULTI CORRENTE**



WWW.MEANWELL.COM

**COMPATIBILE DALI  
DIMMERAZIONE CON PUSH BUTTON**



<b>CODICE</b>	<b>41.TDM052MW</b>
<b>MODELLO</b>	<b>LCM-40DA</b>

**SPECIFICHE TECNICHE**

OUTPUT	CURRENT LEVEL	Current level selectable via DIP switch, please refer to "DIP SWITCH TABLE" section					
	RATED POWER	350mA	500mA	600mA	700mA(default)	900mA	1050mA
	42W						
	DC VOLTAGE RANGE	2 ~ 100V	2 ~ 80V	2 ~ 67V	2 ~ 57V	2 ~ 45V	2 ~ 40V
	OPEN CIRCUIT VOLTAGE (max.)	110V			65V		

**TABELLA CORRENTE**

Io	DIP S.W.	1	2	3	4	5	6
	350mA		----	----	----	----	----
500mA		ON	----	----	----	----	----
600mA		ON	ON	----	----	----	----
700mA(factory default)		ON	ON	ON	----	----	ON
900mA		ON	ON	ON	ON	----	ON
1050mA		ON	ON	ON	ON	ON	ON

**DIMMERAZIONE CON PUSH BUTTON**

